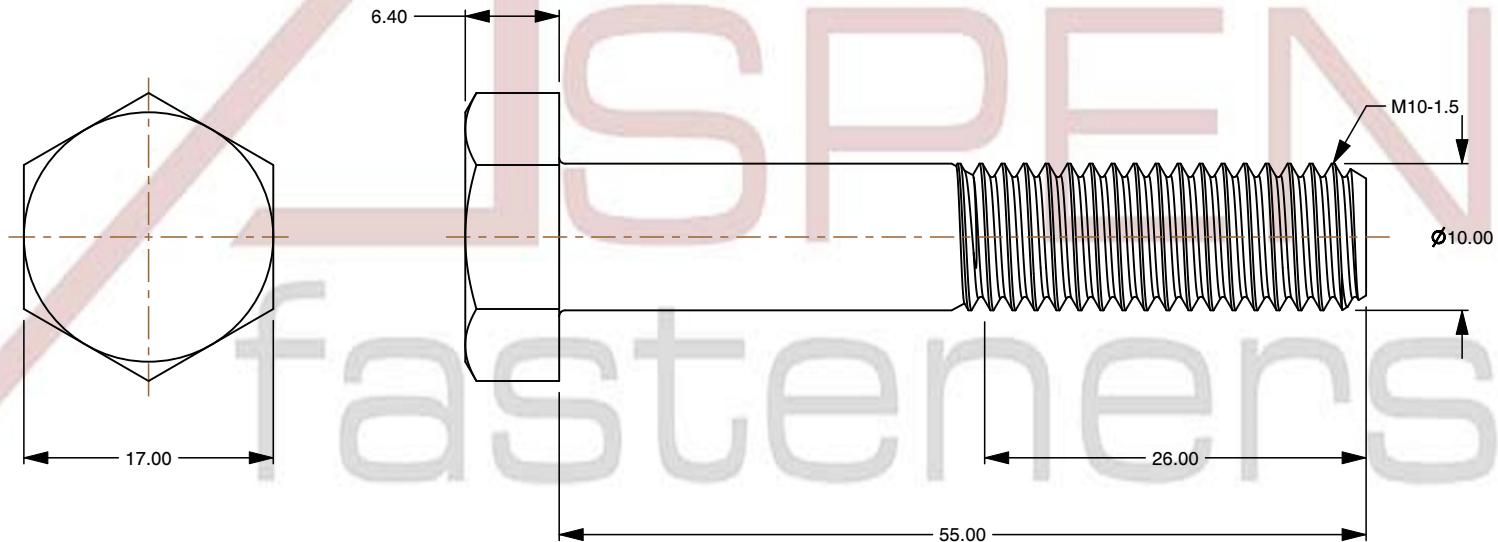
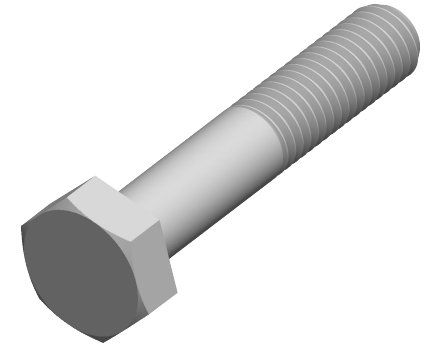



Notes :

1. Category: Cap Screws
2. System of Measurement: Metric
3. Head Style: Hex Head
4. Drive Style: External Hex Drive
5. Pitch: Coarse Thread
6. Thread Length: Part Thread
7. Thread Direction: Right-Hand Thread
8. Point: Chamfered Point
9. Material: Thermoplastic
10. Material Grade: Nylon 6/6
11. Coating: Uncoated
12. Coating Color: Black
13. Standards and Specifications: DIN 931



 www.aspenfasteners.com	This file and any associated information and specifications are provided for reference and evaluation purposes only and is subject to change without notice. Aspen Fasteners Inc. makes no representations, warranties, or guarantees as to the appropriateness, accuracy, completeness, or suitability for any purpose of the file, information or specifications. You are solely responsible for the use of the file, information, or specifications.	This document is the property of Aspen Fasteners Inc. and the information it contains may not be reproduced, disclosed, or shared with any third party without the expressed written permission of Aspen Fasteners Inc.	PRODUCT NAME M10-1.5 X 55mm DIN 931, Metric, Hex Head Cap Screws Bolts, Part Thread, Nylon 6/6, Black	UNIT MILLIMETERS
			PART NUMBER: TP001-1015X55	ISSUED 2024-07-10
	SCALE 1.941		SHEET 1 of 1	