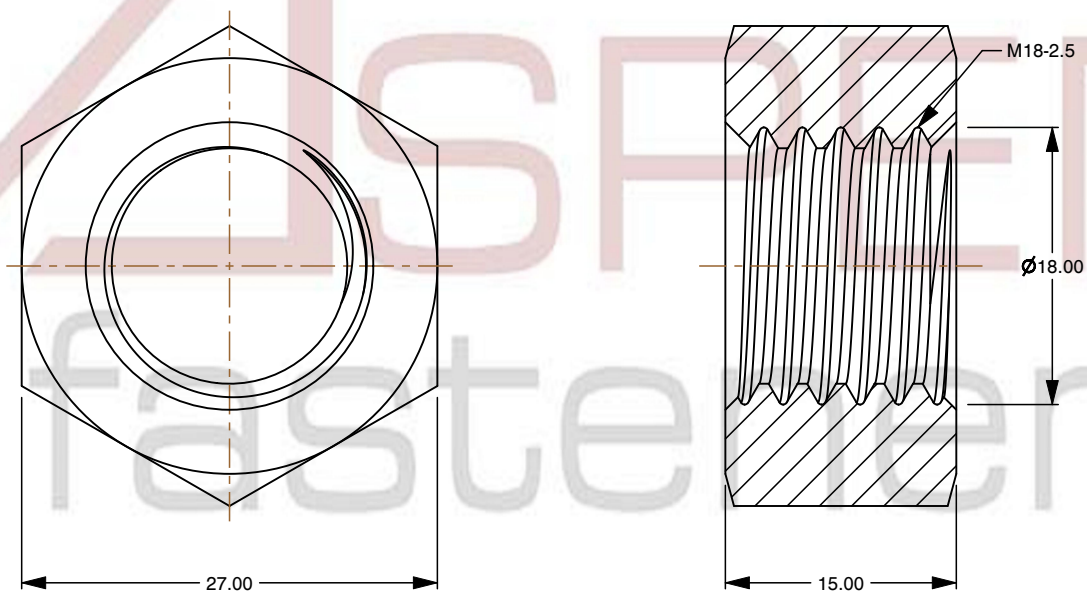
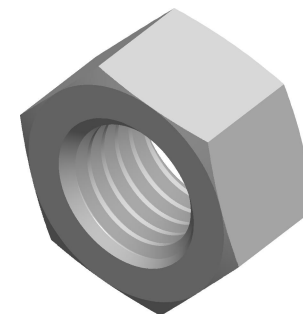



**Notes :**

1. Category: Hex Finished Nuts
2. System of Measurement: Metric
3. Drive Style: External Hex Drive
4. Thread Length: Full Thread
5. Thread Direction: Right-Hand Thread
6. Material: Thermoplastic
7. Material Grade: Polypropylene
8. Coating: Uncoated
9. Coating Colour: Natural
10. Standards and Specifications: DIN 934 / ISO 4032



 <a href="http://www.aspenfasteners.com">www.aspenfasteners.com</a>	<p>This file and any associated information and specifications are provided for reference and evaluation purposes only and is subject to change without notice. Aspen Fasteners Inc. makes no representations, warranties, or guarantees as to the appropriateness, accuracy, completeness, or suitability for any purpose of the file, information or specifications. You are solely responsible for the use of the file, information, or specifications.</p>	<p>This document is the property of Aspen Fasteners Inc. and the information it contains may not be reproduced, disclosed, or shared with any third party without the expressed written permission of Aspen Fasteners Inc.</p>	<p>PRODUCT NAME</p> <p>M18-2.5 DIN 934 / ISO 4032, Metric, Hex Finished Nuts, Polypropylene</p>	<p>UNIT</p> <p>MILLIMETERS</p>
			<p>PART NUMBER: TP034-1825</p>	<p>ISSUED</p> <p>2024-07-11</p>
<p>SCALE 2.037</p>			<p>SHEET 1 of 1</p>	