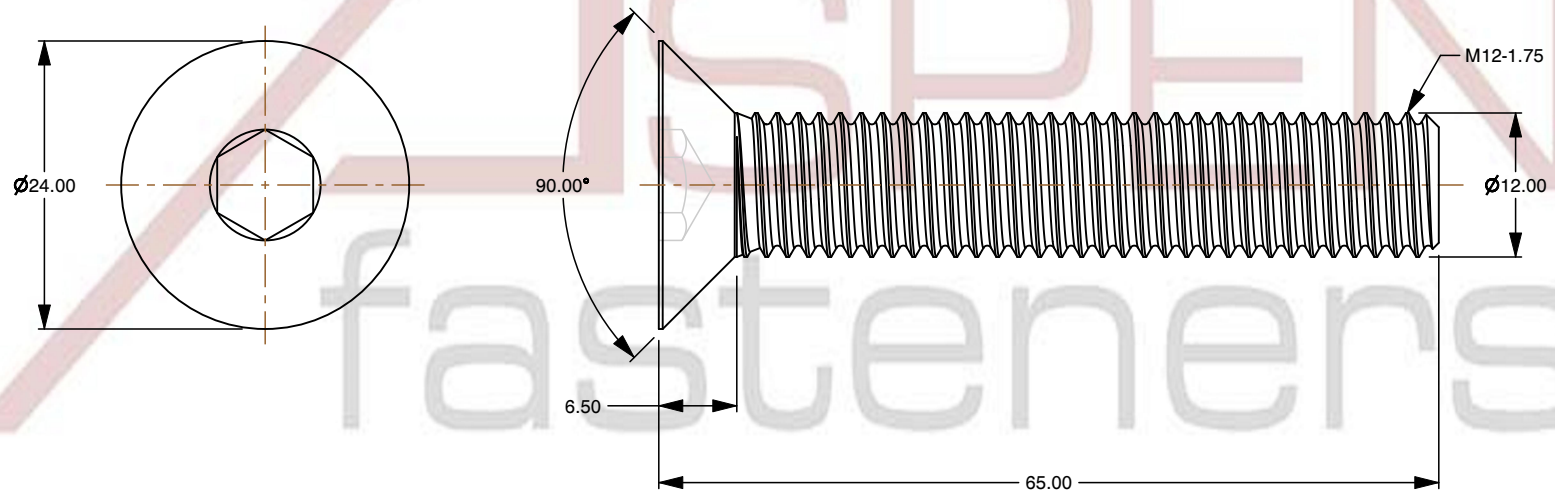
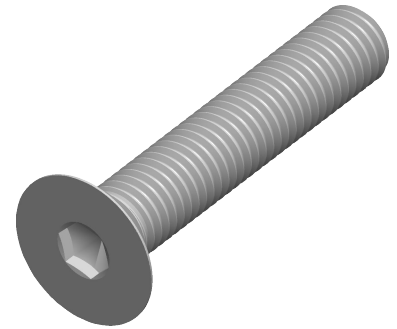



Notes :

1. Category: Socket Head Cap Screws
2. System of Measurement: Metric
3. Head Style: Flat Countersunk Head
4. Head Style Detail: 90 Degree Countersink
5. Drive Style: Hex Socket Drive
6. Thread Length: Full Thread
7. Thread Direction: Right-Hand Thread
8. Material: Thermoplastic
9. Material Grade: Polyamide
10. Coating: Uncoated
11. Coating Color: Natural
12. Standards and Specifications: DIN 7991 / ISO 10642



 www.aspenfasteners.com	This file and any associated information and specifications are provided for reference and evaluation purposes only and is subject to change without notice. Aspen Fasteners Inc. makes no representations, warranties, or guarantees as to the appropriateness, accuracy, completeness, or suitability for any purpose of the file, information or specifications. You are solely responsible for the use of the file, information, or specifications.	This document is the property of Aspen Fasteners Inc. and the information it contains may not be reproduced, disclosed, or shared with any third party without the expressed written permission of Aspen Fasteners Inc.	PRODUCT NAME M12-1.75 X 65mm DIN 7991 / ISO 10642, Metric, Flat Head Socket Cap Screws, Polyamide	UNIT MILLIMETERS
			SCALE 1.588	PART NUMBER: TP067-12175X65
			SHEET 1 of 1	