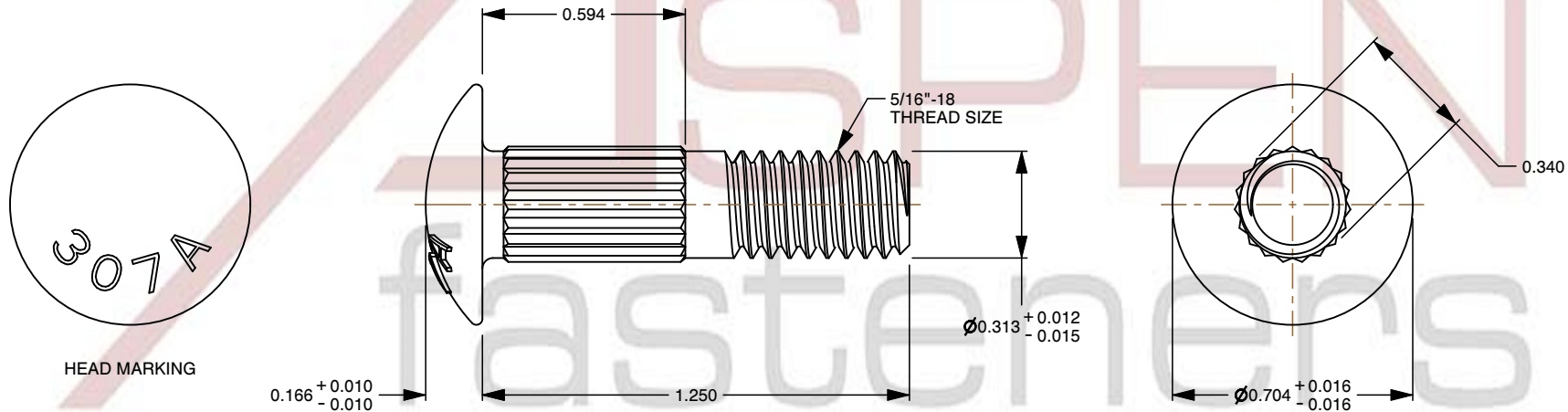
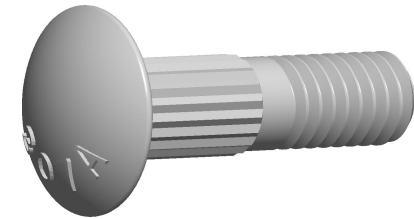



Notes :

1. Category: Carriage Bolts
2. System of Measurement: Inch
3. Head Style: Round Head
4. Head Style Detail: Ribbed Neck
5. Head Markings: Material Grade Mark "A307"
6. Thread Length: Part Thread
7. Thread Direction: Right-Hand Thread
8. Material: Steel
9. Material Grade: A307 Steel
10. Coating: Zinc Plated
11. Coating Color: Clear
12. Standards and Specifications: ASME B18.5



 www.aspenfasteners.com	This file and any associated information and specifications are provided for reference and evaluation purposes only and is subject to change without notice. Aspen Fasteners Inc. makes no representations, warranties, or guarantees as to the appropriateness, accuracy, completeness, or suitability for any purpose of the file, information or specifications. You are solely responsible for the use of the file, information, or specifications.	This document is the property of Aspen Fasteners Inc. and the information it contains may not be reproduced, disclosed, or shared with any third party without the expressed written permission of Aspen Fasteners Inc.	PRODUCT NAME 5/16"-18 X 1-1/4" Carriage Bolts, Round Head, Ribbed Neck, Part Thread, A307 Steel, Zinc	UNIT INCHES
			PART NUMBER: BO011-51618X114	ISSUED 2023-11-23
		SCALE 1.948	SHEET 1 of 1	