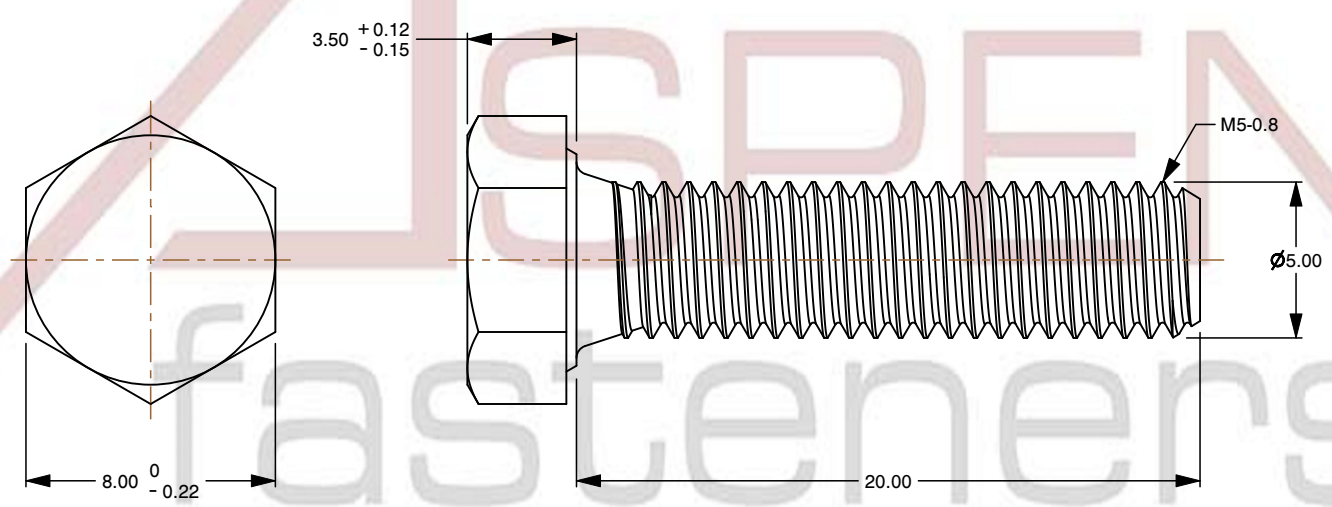
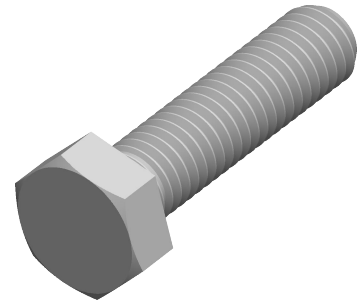


Notes :

1. Category: Cap Screws
2. System of Measurement: Metric
3. Head Style: Hex Head
4. Head Style Detail: Washer Face
5. Drive Style: External Hex Drive
6. Pitch: Coarse Thread
7. Thread Length: Full Thread
8. Thread Direction: Right-Hand Thread
9. Point: Chamfered Point
10. Material: Nylon
11. Material Grade: Type 6/6
12. Coating: Uncoated
13. Standards and Specifications: DIN 933 / ISO 4017



This file and any associated information and specifications are provided for reference and evaluation purposes only and is subject to change without notice. Aspen Fasteners Inc. makes no representations, warranties, or guarantees as to the appropriateness, accuracy, completeness, or suitability for any purpose of the file, information or specifications. You are solely responsible for the use of the file, information, or specifications.

This document is the property of Aspen Fasteners Inc. and the information it contains may not be reproduced, disclosed, or shared with any third party without the expressed written permission of Aspen Fasteners Inc.

SCALE 4.124

PRODUCT NAME
M5-0.8 X 20mm DIN 933 / ISO 4017, Metric,
Hex Head Cap Screws Bolts, Full Thread,
Nylon 6/6

PART NUMBER: ME173-508X20

UNIT
MILLIMETERS

ISSUED
2024-07-03

SHEET 1 of 1