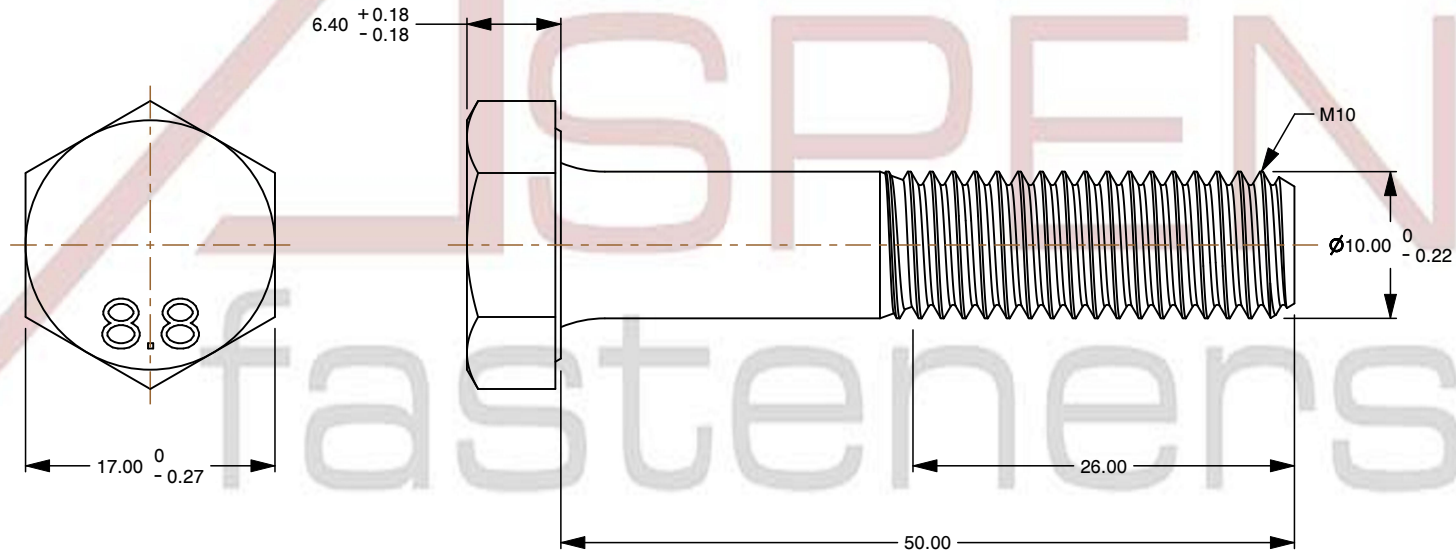
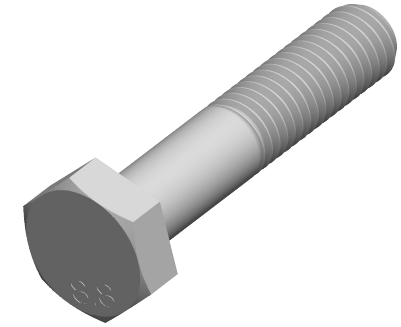



Notes :

1. Category: Cap Screws
2. System of Measurement: Metric
3. Head Style: Hex Head
4. Head Style Detail: Washer Face
5. Drive Style: External Hex Drive
6. Pitch: Coarse Thread
7. Thread Length: Part Thread
8. Thread Direction: Right-Hand Thread
9. Point: Chamfered Point
10. Material: Steel
11. Material Grade: Class 8.8 Steel
12. Material Processes: Quenched and Tempered
13. Coating: Zinc Plated
14. Coating Color: Clear
15. Standards and Specifications: DIN 931 / ISO 4014



 www.aspenfasteners.com	This file and any associated information and specifications are provided for reference and evaluation purposes only and is subject to change without notice. Aspen Fasteners Inc. makes no representations, warranties, or guarantees as to the appropriateness, accuracy, completeness, or suitability for any purpose of the file, information or specifications. You are solely responsible for the use of the file, information, or specifications.	This document is the property of Aspen Fasteners Inc. and the information it contains may not be reproduced, disclosed, or shared with any third party without the expressed written permission of Aspen Fasteners Inc.	PRODUCT NAME M10 X 50mm DIN 931 / ISO 4014, Metric, Hex Head Cap Screws Bolts, Part Thread, Class 8.8 Steel, Zinc Plated	UNIT MILLIMETERS
			PART NUMBER: ME002-10X50	ISSUED 2024-07-03
	SCALE 1.941		SHEET 1 of 1	