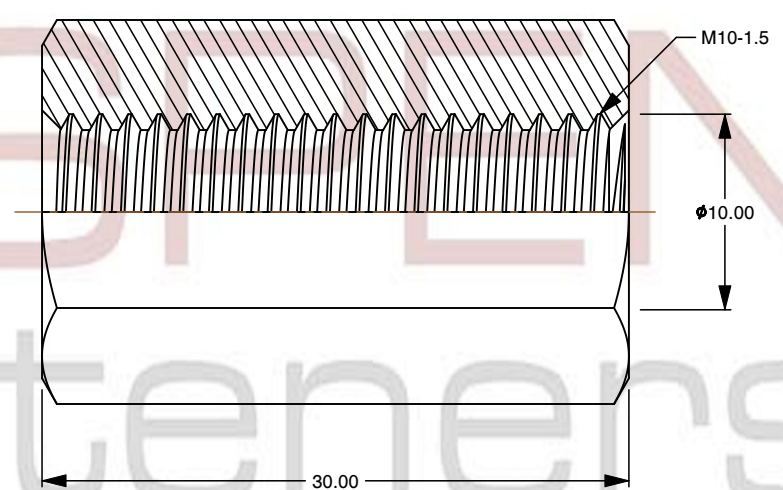
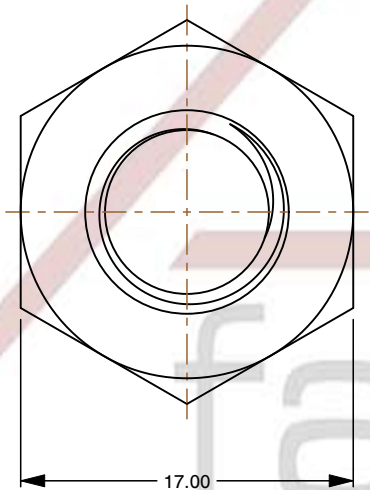
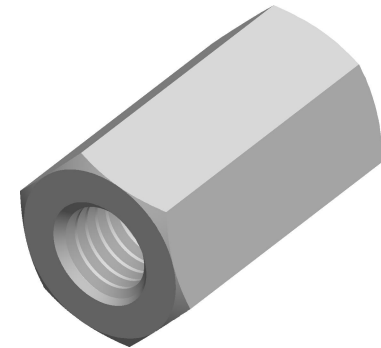



Notes :

1. Category: Coupling Nuts
2. System of Measurement: Metric
3. Form and Design: Double Chamfered and Double Countersunk
4. Drive Style: External Hex Drive
5. Thread Length: Full Thread
6. Thread Direction: Right-Hand Thread
7. Material: Stainless Steel
8. Material Grade: A1 Stainless Steel
9. Coating: Uncoated
10. Standards and Specifications: DIN 88087



 www.aspenfasteners.com	This file and any associated information and specifications are provided for reference and evaluation purposes only and is subject to change without notice. Aspen Fasteners Inc. makes no representations, warranties, or guarantees as to the appropriateness, accuracy, completeness, or suitability for any purpose of the file, information or specifications. You are solely responsible for the use of the file, information, or specifications.	This document is the property of Aspen Fasteners Inc. and the information it contains may not be reproduced, disclosed, or shared with any third party without the expressed written permission of Aspen Fasteners Inc.	PRODUCT NAME M10-1.5 X 30mm DIN 88087, Metric, Hex Coupling Nuts, A1 Stainless Steel	UNIT METRIC
			SCALE 2.588	PART NUMBER: ME698-1015X30