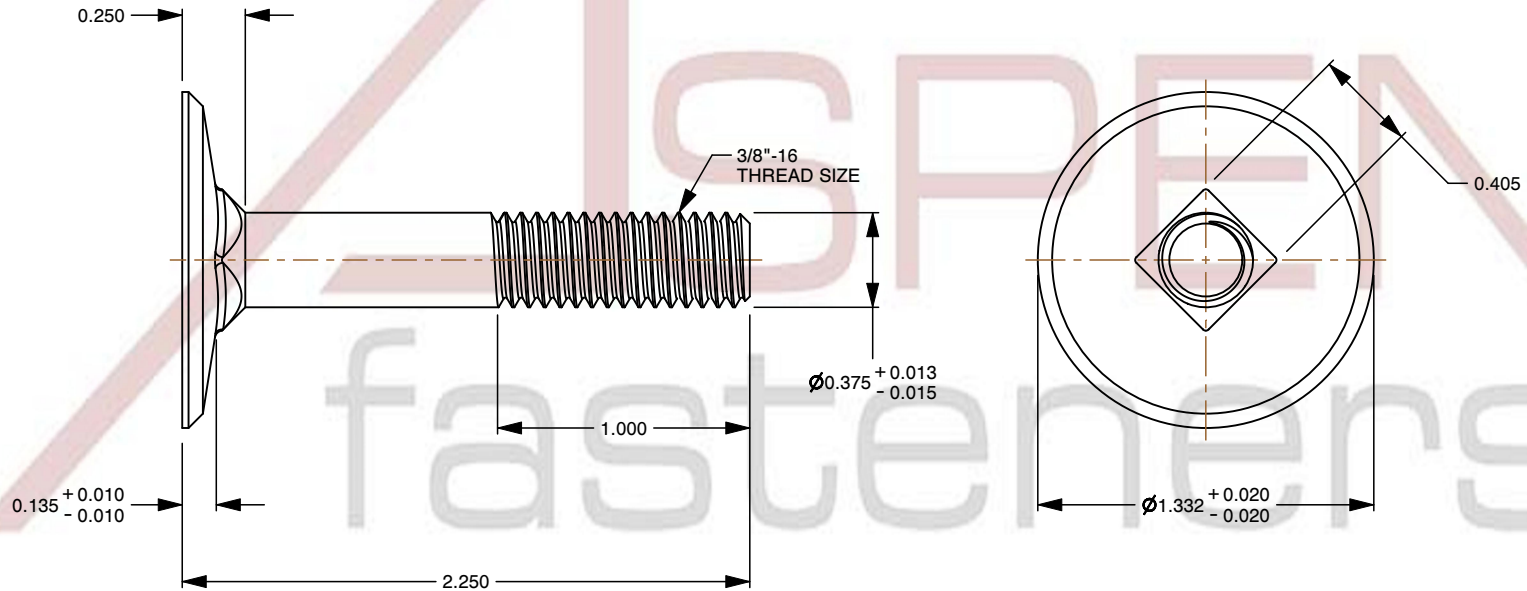
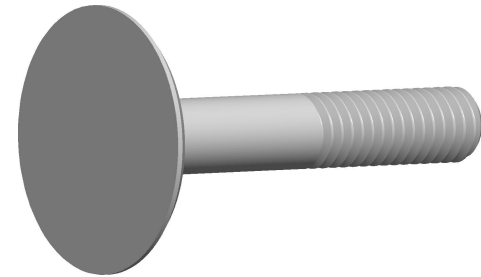


**Notes :**

1. Category: Elevator Bolts
2. System of Measurement: Inch
3. Head Style: Flat Head
4. Head Style Detail: Square Neck
5. Thread Length: Standard Thread Length
6. Thread Direction: Right-Hand Thread
7. Material: Steel
8. Material Grade: Low Carbon Steel
9. Coating: Uncoated
10. Standards and Specifications: ASME B18.5



This file and any associated information and specifications are provided for reference and evaluation purposes only and is subject to change without notice. Aspen Fasteners Inc. makes no representations, warranties, or guarantees as to the appropriateness, accuracy, completeness, or suitability for any purpose of the file, information or specifications. You are solely responsible for the use of the file, information, or specifications.

This document is the property of Aspen Fasteners Inc. and the information it contains may not be reproduced, disclosed, or shared with any third party without the expressed written permission of Aspen Fasteners Inc.

SCALE 1.314

PRODUCT NAME  
3/8"-16 X 2-1/4" Elevator Bolts, Flat Head,  
Square Neck, Steel, Plain

PART NUMBER: BO061-3816X214

UNIT  
INCHES

ISSUED  
2023-11-23

SHEET 1 of 1