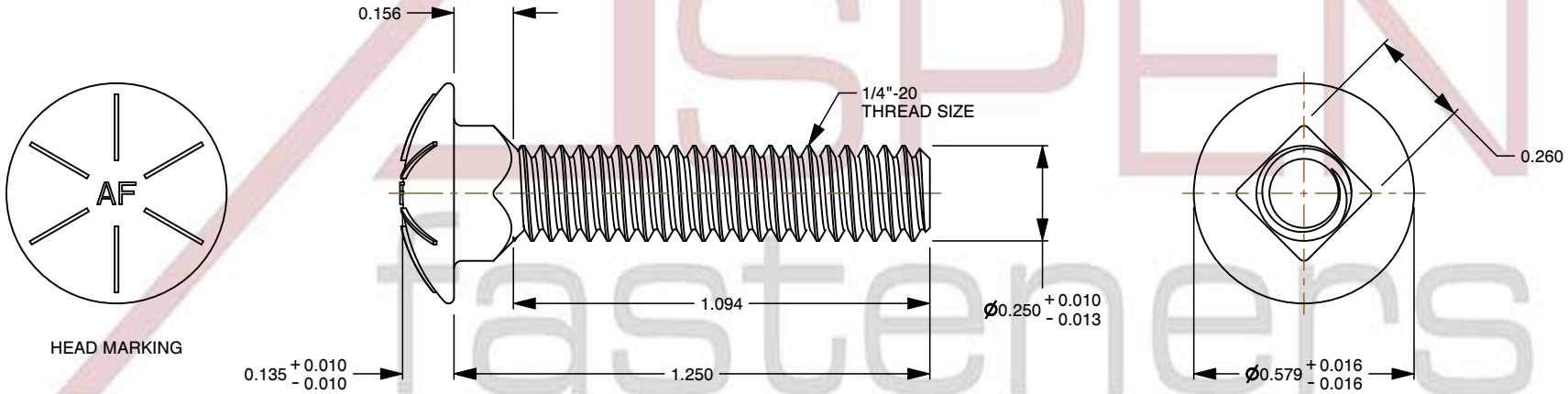
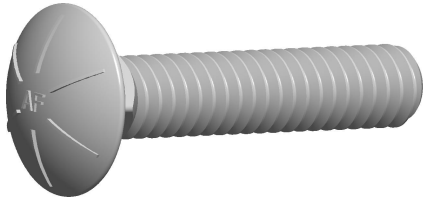



**Notes :**

1. Category: Carriage Bolts
2. System of Measurement: Inch
3. Head Style: Round Head
4. Head Style Detail: Square Neck
5. Head Markings: Six radial lines 60 degrees apart and manufacturer ID
6. Thread Length: Full Thread
7. Thread Direction: Right-Hand Thread
8. Material: Steel
9. Material Grade: Grade 8 Steel
10. Coating: Zinc Plated
11. Coating Color: Clear
12. Standards and Specifications: ASME B18.5 and SAE J429

"AF" IS MEANT TO REPRESENT THE MANUFACTURER'S ID MARKING  
AND WILL VARY DEPENDING ON THE MANUFACTURER OF THE PARTS.



 www.aspenfasteners.com	This file and any associated information and specifications are provided for reference and evaluation purposes only and is subject to change without notice. Aspen Fasteners Inc. makes no representations, warranties, or guarantees as to the appropriateness, accuracy, completeness, or suitability for any purpose of the file, information or specifications. You are solely responsible for the use of the file, information, or specifications.	This document is the property of Aspen Fasteners Inc. and the information it contains may not be reproduced, disclosed, or shared with any third party without the expressed written permission of Aspen Fasteners Inc.	PRODUCT NAME 1/4"-20 X 1-1/4" Carriage Bolts, Round Head, Square Neck, Full Thread, Grade 8 Steel, Zinc	UNIT INCHES
			SCALE 2.164	PART NUMBER: BO131-1420X114
			SHEET 1 of 1	