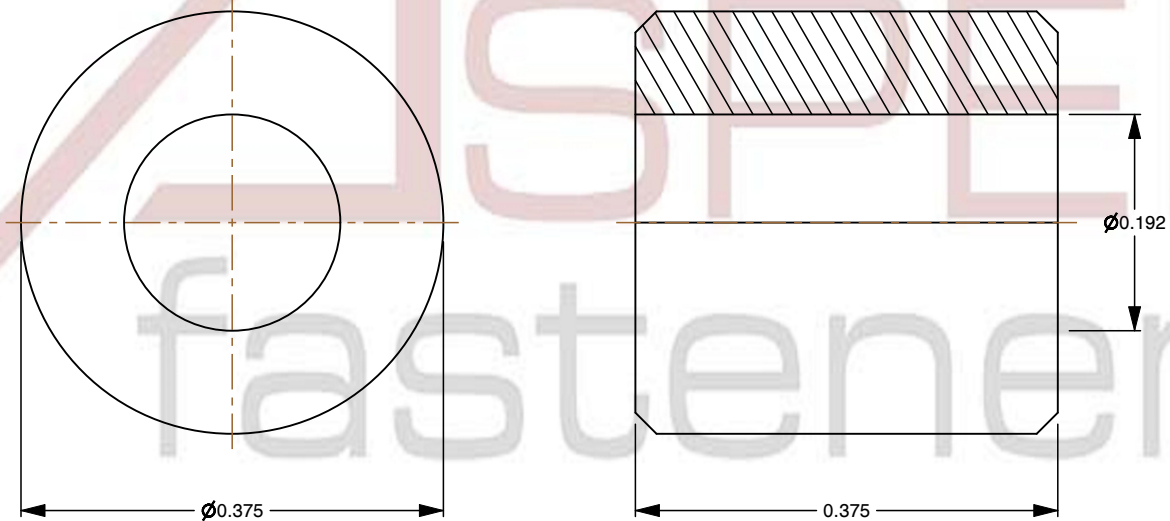
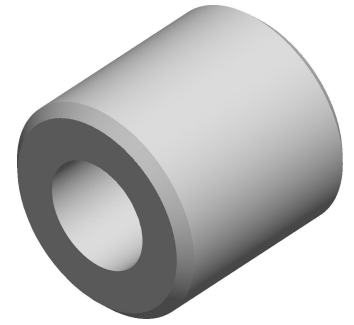



Notes :

1. Category: Round Spacers
2. System of Measurement: Inch
3. Form and Design: 3/8" Diameter
4. Head Style: Headless
5. Drive Style: No Drive Defined
6. Thread Direction: Right-Hand Thread
7. Mateial: Stainless Steel
8. Material Grade: Standard Commercial Grade
9. Coating: Uncoated
10. Origin: Made in U.S.A.



 www.aspenfasteners.com	<p>This file and any associated information and specifications are provided for reference and evaluation purposes only and is subject to change without notice. Aspen Fasteners Inc. makes no representations, warranties, or guarantees as to the appropriateness, accuracy, completeness, or suitability for any purpose of the file, information or specifications. You are solely responsible for the use of the file, information, or specifications.</p>	<p>This document is the property of Aspen Fasteners Inc. and the information it contains may not be reproduced, disclosed, or shared with any third party without the expressed written permission of Aspen Fasteners Inc.</p>	<p>PRODUCT NAME #10 X 3/8" Round Spacers, 3/8" Diameter, Stainless Steel, Made in U.S.A.</p>	<p>UNIT INCHES</p>
			<p>PART NUMBER: FC029-10X38</p>	<p>ISSUED 2023-11-14</p>
		<p>SCALE 5.867</p>		<p>SHEET 1 of 1</p>